

ALUMINUM

**MINI 18" WIDE
CARTS**



Enjoy top-quality innovative storage and organization with the sleek, modern appearance of A-Series carts. Lightweight aluminum with optimal curb appeal, the A-Series comes with curved drawer pulls, self-closing drawer slides and our expanded lock options for the perfect balance of form and function. A-Series carts offer you unlimited choices.

**CHOOSE THE HEIGHT AND WIDTH - CHOOSE YOUR DRAWER CONFIGURATION
CHOOSE YOUR LOCK - YOUR COLOR - YOUR ACCESSORIES**

A-SERIES FEATURES:

- Lightweight aluminum fully welded uni-body construction
- Self-closing, steel ball bearing, full extension drawer slides for easy access and smooth feel

MPA1830E06

Cream body with light blue drawers

**STANDARD A-SERIES &
M-SERIES FEATURES:**

- Heat-sealed durable scratch resistant powder coat finish, inside and out
- Ordered accessories are easily attached to pre-threaded holes with a screwdriver
- Fully curved protective bumper guards your cart and walls from damage
- Antimicrobial plastic top
- Available in more than twenty color options for both the drawers and the body colors
- Fully customizable drawer configurations at no extra charge
- Industry best 5" quiet rolling Tente® casters
- Cart is delivered assembled

Engineered & Manufactured
in the U.S.



HARLOFF
INNOVATING STORAGE FOR CARE

Drawer Configuration:

- 12.5" W x 17" D (31.8 x 43.2 cm)

Assembled Cart Dimensions:

- Cart weight depends on model
- Shipping Dims: 56" H x 29" W x 23" D (142.2 cm x 99 cm x 66 cm)

Warranty: 12-Year Manufacturer's Warranty on shipments to US and Canada. 1-Year Limited Warranty on any bought-out parts.

MPA1824EKC05

White body with
navy drawers

Toll Free: (800) 433-4064 • www.harloff.com
medicalsales@harloff.com • Ph: (719) 637-0300

THE CHOICE IS YOURS!

X-Short
 34" H x 24.75" W x 22" D
 32.875" Height of Work Surface
 21" of Configurable
 Drawer Space



MPA1821EKC14

Short
 37.25" H x 24.75" W x 22" D
 36.125" Height of Work Surface
 24" of Configurable
 Drawer Space



MPA1824L03

Medium
 40.5" H x 24.75" W x 22" D
 39.375" Height of Work Surface
 27" of Configurable
 Drawer Space

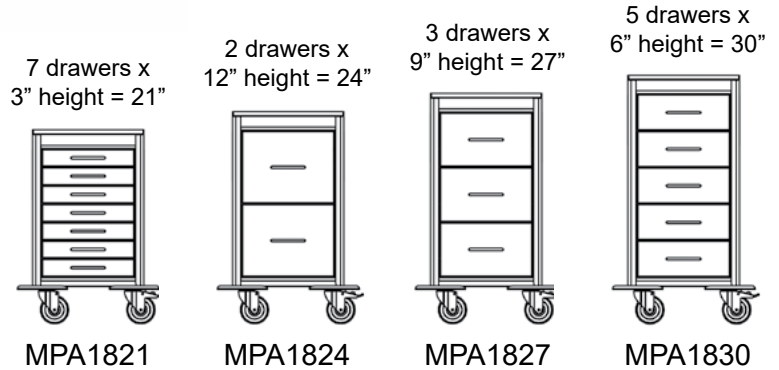


MPA1827E05

Tall
 43.75" H x 24.75" W x 22" D
 42.625" Height of Work Surface
 30" of Configurable Drawer Space



M3PA1830K06
 (with 3" stem casters)



CHOOSE YOUR DRAWER CONFIGURATION:

1. Choose a cart size (X-Short, Short, Medium and Tall)
2. Select **any combination** of 3", 6", 9" or 12" drawers that fit within your cart's configurable drawer space.

CHOOSE YOUR LOCK:

- **B** - Breakaway Lock • **K** - Key-Lock • **E** - Basic Electronic Pushbutton Lock • **EKC** - Electronic Lock w/Keypad
 - **ELP** - Electronic Lock w/Keypad and Proximity Reader • **WKC** - Wireless Electronic Lock w/Keypad • **WLP** - Wireless Electronic Lock w/Keypad and Proximity Reader
- View locking options online: <https://www.harloff.com/locking-options/>

CHOOSE YOUR COLOR(S):

Available in more than 20 colors. An anti-microbial finish is available in Lemon Drop Yellow. View color options online: <https://www.harloff.com/finish-options/>

CHOOSE YOUR ACCESSORIES:

Full line of drawer dividers and exterior accessories are available for all cart sizes. View accessory options online: <https://www.harloff.com/accessories/>

THREE A-SERIES WIDTHS TO CHOOSE FROM:

